



SOLERA[®] CLASSIC AWNING
OWNER'S MANUAL

L I P P E R T
C O M P O N E N T S[®]

Table of Contents

Introduction	2
Safety	3
Operation	3
Extending the Awning.....	3
Optional Car Port Position.....	4
Retracting the Awning.....	4
Fabric Replacement	4
Fabric Removal.....	4
Installing Replacement Fabric	6
Maintenance - Solera Awnings	9
Fabric Care.....	9

Introduction

The Solera Classic Awning is designed for use on most recreational vehicle units and is available in a variety of sizes to fit even the largest unit.

Additional information about this product can be obtained from www.lci1.com/support or by downloading the free myLCI app. The app is available on iTunes for iPhone and iPad and also on Google Play™ for Android™ users.

iTunes, iPhone, and iPad are registered trademarks of Apple Inc. Google Play™ and Android™ are trademarks of Google Inc.

For information on the assembly or individual components of this product, please visit:

<https://support.lci1.com/solera-classic-awning>.

NOTE: Images used in this document are for reference only when assembling, installing and/or operating this product. Actual appearance of provided and/or purchased parts and assemblies may differ.

Safety

Read and understand all instructions before installing or operating this product. Adhere to all safety labels. This manual provides general instructions. Many variables can change the circumstances of the instructions, i.e., the degree of difficulty, operation and ability of the individual performing the instructions. This manual cannot begin to plot out instructions for every possibility, but provides the general instructions, as necessary, for effectively interfacing with the device, product or system. Failure to correctly follow the provided instructions may result in death, serious personal injury, severe product and/or property damage, including voiding of the LCI limited warranty.

⚠ WARNING

The “WARNING” symbol above is a sign that a procedure has a safety risk involved and may cause death or serious personal injury if not performed safely and within the parameters set forth in this manual.

⚠ WARNING

Failure to follow the instructions provided in this manual may result in death, serious injury, unit damage, or voiding of the component warranty.

⚠ CAUTION

The “CAUTION” symbol above is a sign that a safety risk is involved and may cause personal injury and/or product or property damage if not safely adhered to and within the parameters set forth in this manual.

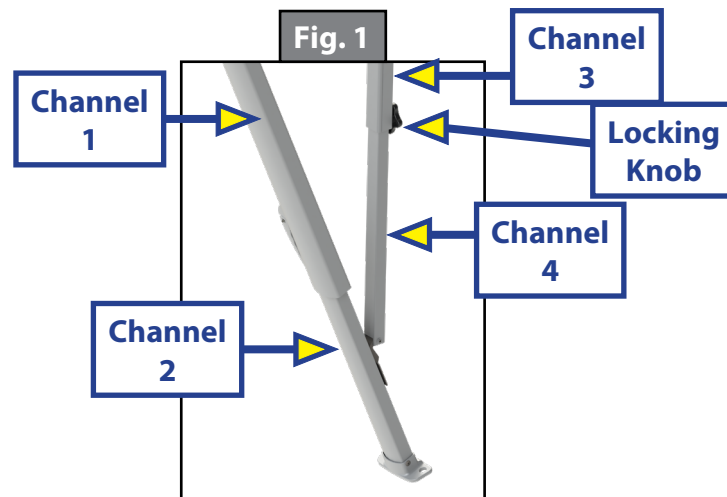
⚠ CAUTION

Moving parts can pinch, crush or cut. Keep clear and use caution.

Operation

Extending the Awning

1. Make sure the black locking knobs on the mount/rafter arm upper channel (channel #3) (Fig. 1) are loosened and pinch the travel locks together to release the outer arm from the mount/rafter arm.
2. Flip the cam lock down to the roll out position.
3. Using the pull rod, start pulling the awning outward until full extension is complete.
4. Slide the mount/rafter arms all the way to the top of the outer arm and make sure they lock into place.



5. Pull on the mount/rafter arm to ensure the fabric is taut and tighten the black locking knob to lock it into place.
6. Raise the outer arms to the desired height by releasing the support arm assembly handle and allow the outer arm upper channel (channel #1) (Fig. 1) to slide on the outer arm lower channel (channel #2) (Fig. 1). Once to the desired height let go of the support arm assembly handle to lock the arm at this position.
7. Slide the pull strap to one end or the other and wrap it around the arm to get it out of the way.

Optional Car Port Position

1. Once all the above steps are complete, remove the outer arm from the side of the unit by releasing the lever on the lower mounting bracket.
2. Walk the awning out until the outer arm is straight up and down and let it set on the ground.
3. Make sure to secure the foot of the outer arm to the ground with the provided stakes.

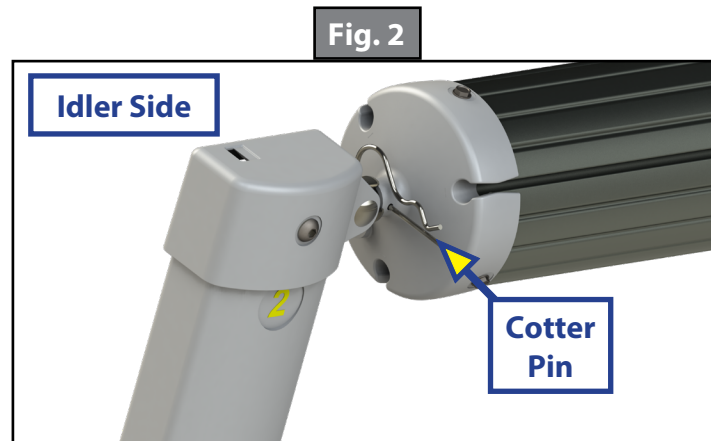
Retracting the Awning

1. If in car port mode, remove the stakes from the foot of the outer arm. Then walk the outer arm back to the unit and secure it to the lower mounting bracket on the sidewall of the unit. Do this for both ends.
2. Take the awning pull strap and return it to the center of the awning roll tube.
3. Lower the roll tube by holding the outer arm and releasing the support arm assembly handle on the side. Let the outer arm upper channel (channel #1) (Fig. 1) slide down the outer arm lower channel (channel #2) (Fig. 1) until it rests on the acorn nut. Repeat this for the other end.
4. Loosen the black locking knob and unlock the mount/rafter arm by releasing the spring clip from the top of the head assembly. Allow the mount/rafter arm to slide all the way down toward the bottom of the outer arm. Repeat this for both ends.
5. Take a firm hold on the awning strap and release the tension on the springs by flipping the cam lock up to the roll in position.
6. Walk the awning in toward the unit. Hook the pull rod into the pull strap before the strap gets too high. Using the pull rod, walk the awning to the fully-closed position.
7. Lock the arms for travel mode by compressing the outer arm and mount/rafter arm together until the red tab disappears. Then tighten the black locking knob.

Fabric Replacement

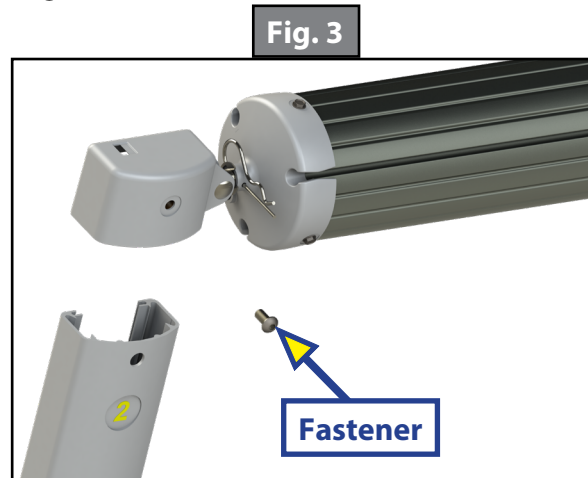
Fabric Removal

1. Remove the drip cap (if equipped) from the end the fabric will be removed from.
2. Remove the #6 x 1/2" hex head screws located on the awning rail (2 total). Set screws aside.
3. Extend the awning out completely by sliding the mount/rafter arms all the way to the top of the outer arm and make sure they lock into place and insert cotter pins (Fig. 2).



NOTE: If the awning is 6' in length it will only need one cotter pin for the drive side end cap.

4. Pull on the mount/rafter arm to ensure the fabric is taut and tighten the black locking knob to lock it into place. As a precaution, tape the cam lock in the roll out position.
5. On the end of the awning rail the fabric will be removed from, remove the upper mounting bracket from the unit wall. Allow the mount/rafter arm to pivot out of the way.
6. Remove the drive head assembly and idler head assembly retaining fasteners from the outer arms to separate the components (Fig. 3).



7. Working together, remove the roll tube assembly (which includes the drive/idler head assemblies) from the awning rail and support arms by sliding the assembly along the awning rail until clear.

⚠ WARNING

Failure to support the roll tube, fabric and drive/idler head assemblies during removal may result in serious injury or property damage.

8. Place the removed assembly onto a level area.
9. Have someone securely hold the idler head and roll tube.
10. Hold the drive head assembly securely (there will be tension to be released) and remove the drive head assembly cotter pin.

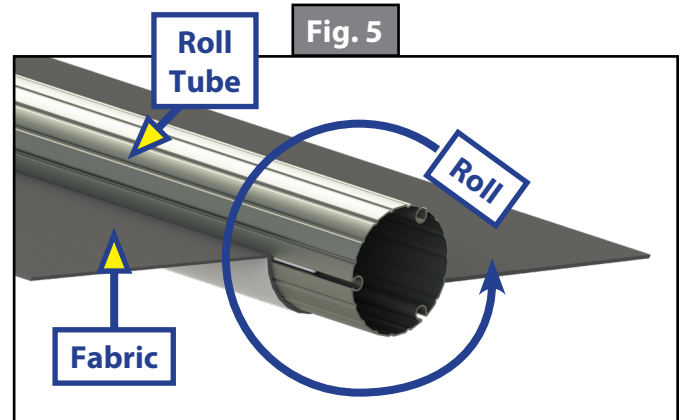
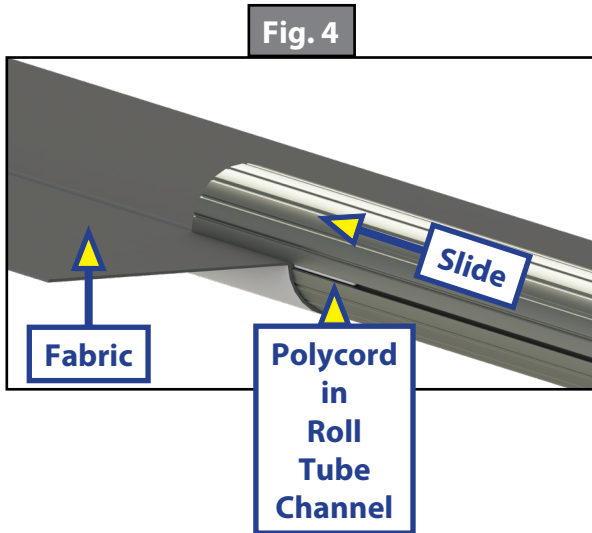
⚠ WARNING

Failure to maintain control of the roll tube, fabric and drive/idler head may result in serious injury or property damage.

11. Flip the cam lock to the roll in position. Slowly rotate the drive head assembly clockwise to release tension.
12. Mark the cam lock position on the roll tube.
13. Remove the three screws holding the drive head assembly end cap on the roll tube and set the drive head assembly aside.
14. Mark the roll tube grooves containing the polycords prior to removing the fabric from the roll tube.
15. Remove the two screws holding the fabric in place on the roll tube.
16. To remove the fabric, gently pull the roll tube from one end, while another person holds the fabric in place.

Installing Replacement Fabric

1. Unroll the replacement fabric so that the polycords are parallel with the roll tube.
2. Gently slide the roll tube on to the two polycords of the fabric, making sure that the non-printed side is touching the roll tube (Fig. 4).
3. Center the fabric on the roll tube.
4. Apply the screws that were holding the polycords in place on the roll tube.
5. Roll the fabric onto the roll tube (Fig. 5). Make sure the fabric stays snug and flat to the roll tube with the printed side facing away.



6. Using the three screws previously removed from the end caps, attach the drive head assembly to the roll tube, making sure the orientation is the same.

NOTE: Be sure the drive head assembly with the cam lock is on the right-hand side of the awning.

7. Secure the idler head and roll tube.
8. Rotate the drive head assembly counterclockwise the number of turns stated on the turn chart (Fig. 6). Insert a cotter pin into the end cap into the shaft on the drive head assembly.

Fig. 6

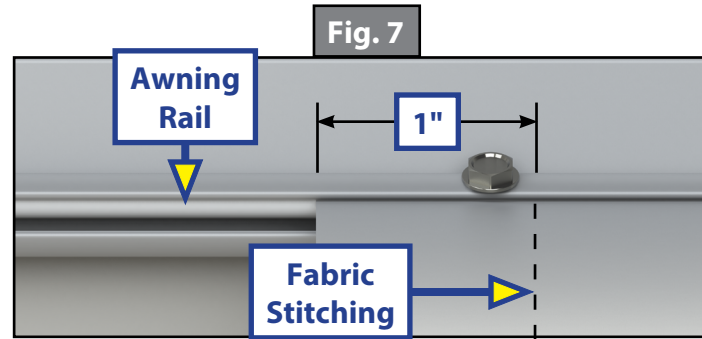
Classic Awnings Fabric Replacement Turn Chart	
Size	Turns
6 ft to 10 ft	12
11 ft to 14 ft	13
15 ft to 18 ft	14
19 ft and up	16

⚠ WARNING

Failure to maintain control of the roll tube, fabric and drive/idler heads may result in serious injury or property damage.

9. Working together, install the roll tube assembly (which includes the drive/idler head assemblies) to the awning rail by sliding the assembly along the awning rail. Make sure the awning will unroll with the printed side of the fabric up.

10. Unroll the fabric from the roll tube to allow the drive/idler head assemblies to be installed into the outer arms.
11. Install the previously-removed drive head assembly and idler head assembly retaining bolts into the outer arms to secure the components.
12. Reinstall the previously-removed support arm upper mounting bracket to the unit wall.
13. Make sure the cam lock is in the roll out position and remove cotter pins from the awning heads.
14. Retract and extend the awning several times (see Operation section of manual) to ensure that the fabric is square on the roll tube.
15. Secure the fabric in the awning rail no more than 1" inside the edge of the fabric on both ends using a #6 x 1/2" hex head screw. Install the screw down through awning rail into fabric and polycord (Fig. 7).
16. Reinstall the drip cap if previously equipped.



What is happening?	Why it's happening	What should be done?
Awning will not extend.	Cam lock engaged.	Check position of the cam lock (roll out).
	Travel locks engaged.	Ensure that the travel locks have been released from the outer arm.
	Rafter arm(s) locking knob(s) is engaged.	Make sure the locking knob for the rafters has been loosened.
	Outer arm(s) is not aligned properly.	Check to see if the outer arm is resting on the mount/rafter arm. If so, the outer arm height adjustment is not set properly.
Awning will not retract or only retracts part way.	Rafter arm(s) locking knob(s) is engaged.	Make sure the mount/rafter arms have been put in the stored position and the locking knob has not been tightened.
	Cam lock not engaged.	Check position of cam lock (roll in).
	Outer arm(s) stored properly.	Ensure the outer arms have been placed in the closed/stored position.
	Spring tension not engaged.	Ensure the awning has the proper tension on it.
	Outer arm(s) is in secured position.	Ensure that the mount/rafter arm is not secured to the head of the outer arm.
Fabric is loose or sags on the edges and middle.	Rafter arm(s) locking knob not engaged.	Make sure that the mount/rafter arm has been pulled tight and the locking knob is secured.
	Fabric out of alignment.	Check that the fabric is square on the unit and with the roll tube.
	Fabric is loose on awning rail.	Make sure the fabric is properly secured to the awning rail on the unit.
	Roll tube has been damaged.	Make sure roll tube is not bent.
Locking knob will not tighten.	Lock knob(s) has been damaged.	The nut for this is a thread part that tightens the arms together. Open the awning and check when turning the knob that the nut is not stripped out. If it is not stripped, it would require replacing both parts.
Mount/rafter arm will not extend.	Rafter arm(s) locking knob(s) is engaged.	Make sure the locking knob has been loosened.
	Debris is lodged in track arm(s).	Make sure there is no debris in the track the arm slides in.
	Arm(s) is damaged.	Make sure arm is not bent.
Awning will not roll up straight.	Fabric out of alignment.	Check to make sure fabric is centered on roll tube and also centered between the arms attached to the unit.
	Fabric has shifted within awning rail.	If the fabric is not centered, move the screws on both ends of the awning and shift the fabric accordingly.
	Anchoring screws within awning rail are missing.	Make sure there are screws at both ends of the fabric securing it to the roll tube and at the awning rail. If there is only one screw at one end and not the other, the awning may not roll up correctly.
	Arm(s) is damaged.	Make sure the arms are square and straight.

Troubleshooting Continued

What is happening?	Why it's happening	What should be done?
Awning will not stay in the rolled out position.	Cam lock wear may be present.	Check the cam lock. Signs of a faulty cam lock include: <ul style="list-style-type: none">- The absence of a clicking noise when the awning is rolled out.- The awning rolling back up after it is placed in the stop position.

Maintenance - Solera Awnings

Fabric Care

NOTE: If the awning is retracted while wet, extend the awning and let it dry as soon as conditions allow before retracting. This will help prevent the formation of mildew and add greatly to the life of the awning. Mildew does not form on the fabric itself, but on the accumulated dust, dirt and grime.

NOTE: Periodically clean vinyl or woven acrylic fabric using a mixture of 1/4 cup of dish soap and 5 gallons of warm water. Liberally apply the mixture on the top of the fabric and retract the awning for 5 minutes. This will apply the mixture to the bottom of the fabric as well. Extend the awning and hose off with fresh water. Repeat if necessary. Allow to dry before retracting.



L I P P E R T C O M P O N E N T S®

The contents of this manual are proprietary and copyright protected by Lippert Components, Inc. ("LCI"). LCI prohibits the copying or dissemination of portions of this manual unless prior written consent from an authorized LCI representative has been provided. Any unauthorized use shall void any applicable warranty. The information contained in this manual is subject to change without notice and at the sole discretion of LCI.

Revised editions are available for free download from lci1.com.

Please recycle all obsolete materials.

For all concerns or questions, please contact
Lippert Components, Inc.

Ph: (574) 537-8900 | Web: lci1.com | Email: customerservice@lci1.com